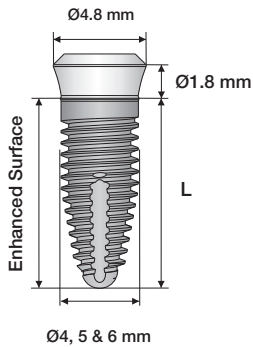




# OCT Dental Implants

OCT-XT

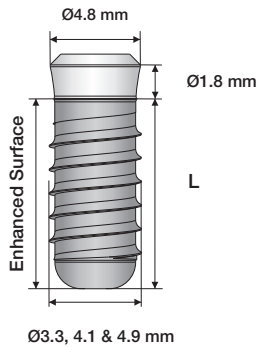


Ø4, 5 & 6 mm



Internal Octagon/Morse Taper

OCT-XP

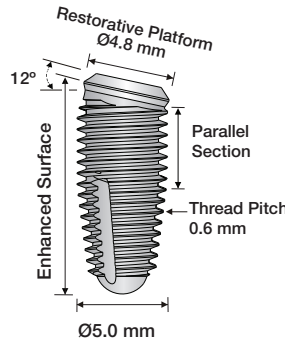


Ø3.3, 4.1 & 4.9 mm



Internal Octagon/Morse Taper

OCT-XT 12°

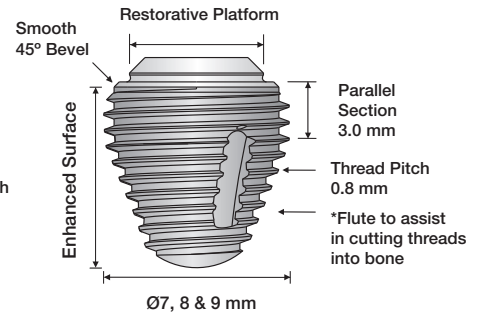


Ø5.0 mm



Internal Octagon/Morse Taper

MAX-IT



Ø7, 8 & 9 mm



Internal Octagon/Morse Taper

\*Note: No flute in last two threads to protect sinus

OCT-XT		
DIAMETER	LENGTH	PLATFORM
4.0 mm	8.0 mm	Ø4.8 mm
4.0 mm	10.0 mm	Ø4.8 mm
4.0 mm	12.0 mm	Ø4.8 mm
4.0 mm	14.0 mm	Ø4.8 mm
5.0 mm	8.0 mm	Ø4.8 mm
5.0 mm	10.0 mm	Ø4.8 mm
5.0 mm	12.0 mm	Ø4.8 mm
5.0 mm	14.0 mm	Ø4.8 mm
6.0 mm	8.0 mm	Ø6.5 mm
6.0 mm	10.0 mm	Ø6.5 mm
6.0 mm	12.0 mm	Ø6.5 mm

OCT-XP		
DIAMETER	LENGTH	PLATFORM
3.3 mm	6.0 mm	Ø4.8 mm
3.3 mm	8.0 mm	Ø4.8 mm
3.3 mm	10.0 mm	Ø4.8 mm
3.3 mm	12.0 mm	Ø4.8 mm
3.3 mm	14.0 mm	Ø4.8 mm
4.1 mm	6.0 mm	Ø4.8 mm
4.1 mm	8.0 mm	Ø4.8 mm
4.1 mm	10.0 mm	Ø4.8 mm
4.1 mm	12.0 mm	Ø4.8 mm
4.1 mm	14.0 mm	Ø4.8 mm
4.9 mm	6.0 mm	Ø4.8 mm
4.9 mm	8.0 mm	Ø4.8 mm
4.9 mm	10.0 mm	Ø4.8 mm
4.9 mm	12.0 mm	Ø4.8 mm
4.9 mm	14.0 mm	Ø4.8 mm

OCT-XT (ITST 12d) 12° Co-Axis		
DIAMETER	LENGTH	PLATFORM
5.0 mm	8.0 mm	Ø4.8 mm
5.0 mm	10.0 mm	Ø4.8 mm
5.0 mm	12.0 mm	Ø4.8 mm
5.0 mm	14.0 mm	Ø4.8 mm

MAX-IT		
DIAMETER	LENGTH	PLATFORM
7.0 mm	7.0 mm	Ø4.8 mm
7.0 mm	9.0 mm	Ø4.8 mm
7.0 mm	11.0 mm	Ø4.8 mm
8.0 mm	7.0 mm	Ø6.5 mm
8.0 mm	9.0 mm	Ø6.5 mm
8.0 mm	11.0 mm	Ø6.5 mm
9.0 mm	7.0 mm	Ø6.5 mm
9.0 mm	9.0 mm	Ø6.5 mm
9.0 mm	11.0 mm	Ø6.5 mm

## SURGICAL AND PROSTHETIC KEY BENEFITS

- OCT-XT allows for superior primary stability due to tapered design and increased thread count
- OCT-XT and OCT-XP allow for insertion via insertion tool
- Restoration with industry compatible internal octagon, morse taper connection



5 Holland Building 209 Irvine, CA 92618  
**Toll Free** 866 700-2100 **Tel** 949 273-8505 **Fax** 949 273-8508  
[www.southernimplants.us](http://www.southernimplants.us)  
 ©2011 Southern Implants Inc. All rights reserved. SIM-11-16OCT



Bright Ideas in Dental Implants  
**Since 1987**