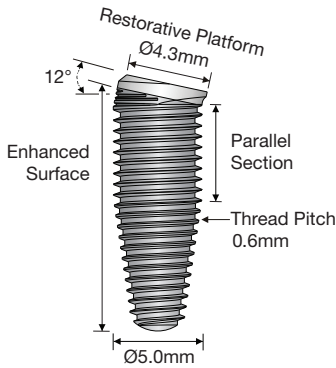




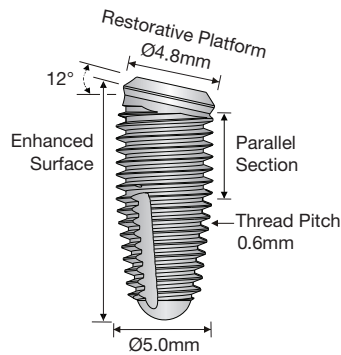
# Co-Axis Dental Implants

## Tri-Nex 12°



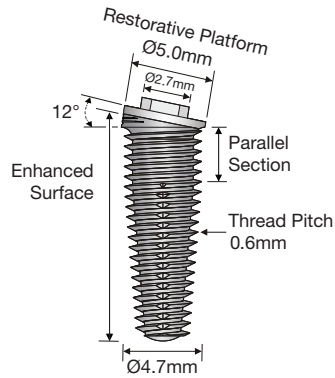
Internal Tri-Lobe

## OCT-XT 12°



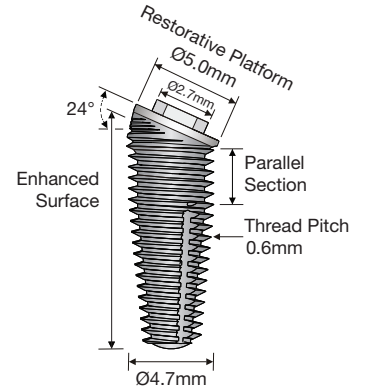
Internal Octagon/Morse Taper

## External Hex 12°



External Hexagon

## External Hex 24°



External Hexagon

### Tri-Nex 12° Co-Axis:

DIAMETER	LENGTH	PLATFORM
4.3 mm	10.5 mm	Ø3.5 mm
4.3 mm	12.0 mm	Ø3.5 mm
4.3 mm	13.5 mm	Ø3.5 mm
4.3 mm	16.5 mm	Ø3.5 mm
5.0 mm	10.5 mm	Ø4.3 mm
5.0 mm	12.0 mm	Ø4.3 mm
5.0 mm	13.5 mm	Ø4.3 mm
5.0 mm	16.5 mm	Ø4.3 mm

### OCT-XT (ITST 12d) 12° Co-Axis:

DIAMETER	LENGTH	PLATFORM
5.0 mm	8.0 mm	Ø4.8 mm
5.0 mm	10.0 mm	Ø4.8 mm
5.0 mm	12.0 mm	Ø4.8 mm
5.0 mm	14.0 mm	Ø4.8 mm

### 12° Co-Axis:

DIAMETER	LENGTH	PLATFORM
4.0 mm	8.5 mm	Ø4.0 mm
4.0 mm	10.0 mm	Ø4.0 mm
4.0 mm	11.5 mm	Ø4.0 mm
4.0 mm	13.0 mm	Ø4.0 mm
4.0 mm	15.0 mm	Ø4.0 mm
4.0 mm	18.0 mm	Ø4.0 mm
5.0 mm	10.0 mm	Ø5.0 mm
5.0 mm	11.5 mm	Ø5.0 mm
5.0 mm	13.0 mm	Ø5.0 mm
5.0 mm	15.0 mm	Ø5.0 mm
5.0 mm	18.0 mm	Ø5.0 mm
6.0 mm	10.0 mm	Ø6.0 mm
6.0 mm	11.5 mm	Ø6.0 mm
6.0 mm	13.0 mm	Ø6.0 mm
6.0 mm	15.0 mm	Ø6.0 mm

### 24° Co-Axis:

DIAMETER	LENGTH	PLATFORM
5.0 mm	10.0 mm	Ø5.0 mm
5.0 mm	11.5 mm	Ø5.0 mm
5.0 mm	13.0 mm	Ø5.0 mm
5.0 mm	15.0 mm	Ø5.0 mm
6.0 mm	10.0 mm	Ø6.0 mm
6.0 mm	11.5 mm	Ø6.0 mm
6.0 mm	13.0 mm	Ø6.0 mm
6.0 mm	15.0 mm	Ø6.0 mm

## SURGICAL AND PROSTHETIC KEY BENEFITS

- First threaded implant with 12° or 24° angle incorporated into the implant
- Eliminates need for custom abutments
- Increases A-P spread in “four on the floor” cases without intermediate abutments
- Avoids anatomical structures, i.e. sinus, mental foramen
- Industry compatible connection options



5 Holland Building 209 Irvine, CA 92618  
**Toll Free** 866 700-2100 **Tel** 949 273-8505 **Fax** 949 273-8508

www.southernimplants.us

©2011 Southern Implants Inc. All rights reserved. SIM-11-16CX



Bright Ideas in Dental Implants  
**Since 1987**